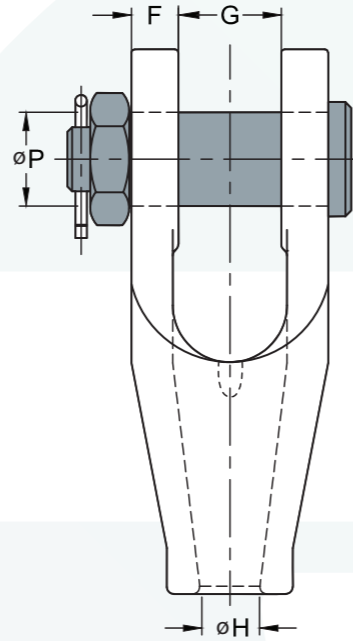
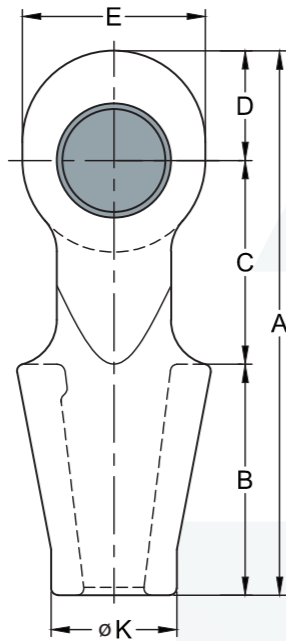
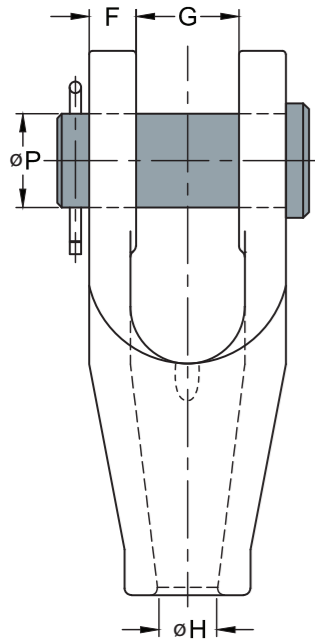




Open Spelter Sockets

with pin

with bolt



Available for wire rope sizes from \varnothing 6 mm to \varnothing 128 mm (1/4" to 5") with an efficiency rating of 100%.
Standard version with pin and cotter pin. Also available with bolt, nut and cotter pin.

AQUALLINE OPEN SPELTER SOCKET. MM DIMENSIONS

Model Number	MBL (Mtons)	For Wire Rope \varnothing mm	Structural Strand \varnothing mm	Approx. Resin Volume (cc)	Dimensions (mm)										Weight (kg)
					A	B	C	D	E	F	G	\varnothing H	\varnothing K	\varnothing P	
OSS 196	8	6 - 7	-	10	105	46	40	19	34	9	18	10	20	17.5	0.4
OSS 197	12	8 - 10	-	20	122	54	45	23	40	11.2	20.6	13.5	26	20.6	0.8
OSS 198	20	11 - 13	-	35	142	64	51	27	48	12.7	25.6	15	30	25.4	1.1
OSS 199	25	14 - 16	12 - 13	50	171	76	63	32	56	14.5	32	18.5	38.5	30	1.9
OSS 100	40	18 - 19	14 - 16	80	205	89	76	40	68	16.5	38	22.5	46	35	3.2
OSS 104	55	20 - 22	18 - 19	125	238	101	89	48	80	20.5	45	26.8	55	41	5.3
OSS 108	80	23 - 26	20 - 22	160	273	114	101	58	98	22.5	51	29.5	62	51	8.4
OSS 111	100	27 - 30	24 - 26	210	306	127	114	65	110	25	57	34	70	57	11.3
OSS 115	130	31 - 36	27 - 28	350	338	139	127	72	124	28	63	40	83	63	16
OSS 118	160	37 - 39	30 - 32	425	394	152	162	80	140	30	76	44.5	90	70	23
OSS 120	200	40 - 42	33 - 35	500	415	165	165	85	148	33.5	76	48	97	76	29
OSS 125	250	43 - 48	36 - 40	700	467	191	178	98	170	39	89	53	112	89	43
OSS 128	300	49 - 54	42 - 45	1250	552	216	228	108	186	46	101	58.5	125	95	64
OSS 130	375	55 - 60	46 - 48	1425	603	229	254	120	210	53	113	68.5	135	108	85
OSS 132	450	61 - 68	50 - 54	1850	654	248	273	133	230	60	127	77.5	150	121	119
OSS 135	500	69 - 75	56 - 62	2300	696	279	279	138	240	73	133	83	160	127	158
OSS 138	600	76 - 80	64 - 67	3400	736	305	286	145	250	76	146	89	170	133	186
OSS 140	650	81 - 86	70 - 73	4100	790	330	300	160	275	79	159	95	180	140	227
OSS 142	750	87 - 93	76 - 80	5200	849	356	318	175	300	82	172	99	200	152	280
OSS 144	900	94 - 102	83 - 92	7700	922	381	343	198	336	89	191	110	215	178	375
OSS 146	1200	108 - 115	96 - 108	10500	1110	440	450	220	370	100	205	128	250	195	525
OSS 150	1400	120 - 128	112 - 121	14000	1185	490	440	255	430	113	225	143	270	220	680

AQUALLINE OPEN SPELTER SOCKET. INCH DIMENSIONS

Model Number	MBL (Mtons)	For Wire Rope \varnothing inch	Structural Strand \varnothing inch	Approx. Resin Volume (cc)	Dimensions (inch)										Weight (lbs)
					A	B	C	D	E	F	G	\varnothing H	\varnothing K	\varnothing P	
OSS 196	8	1/4	-	10	4.13	1.81	1.60	0.75	1.34	0.35	0.71	0.39	0.78	0.69	0.9
OSS 197	12	5/16 - 3/8	-	20	4.80	2.16	1.80	0.90	1.57	0.44	0.81	0.53	1.02	0.81	1.8
OSS 198	20	7/16 - 1/2	-	35	5.60	2.52	2.00	1.10	1.89	0.50	1.00	0.60	1.18	1.00	2.4
OSS 199	25	9/16 - 5/8	1/2	50	6.70	3.00	2.50	1.30	2.20	0.57	1.26	0.73	1.52	1.19	4.2
OSS 100	40	3/4	9/16 - 5/8	80	8.10	3.50	3.00	1.60	2.76	0.65	1.50	0.89	1.81	1.38	7
OSS 104	55	7/8	11/16 - 3/4	125	9.40	4.00	3.50	1.90	3.15	0.81	1.75	1.05	2.17	1.63	11.7
OSS 108	80	1	13/16 - 7/8	160	10.70	4.50	4.00	2.30	4.00	0.89	2.00	1.16	2.44	2.00	18
OSS 111	100	1 1/8	15/16 - 1	210	12.00	5.00	4.50	2.60	4.33	1.00	2.25	1.39	2.76	2.25	25
OSS 115	130	1 1/4 - 1 3/8	1 1/16 - 1 1/8	350	13.30	5.50	5.00	2.80	4.80	1.10	2.50	1.57	3.27	2.50	35
OSS 118	160	1 1/2	1 3/16 - 1 1/4	425	15.50	6.00	6.40	3.15	5.52	1.18	3.00	1.75	3.50	2.75	51
OSS 120	200	1 5/8	1 5/16 - 1 3/8	500	16.30	6.50	6.50	3.35	5.90	1.30	3.00	1.90	3.80	3.00	64
OSS 125	250	1 3/4 - 1 7/8	1 7/16 - 1 5/8	700	18.40	7.50	7.00	3.86	6.70	1.53	3.50	2.10	4.40	3.50	95
OSS 128	300	2 - 2 1/8	1 11/16 - 1 3/4	1250	21.70	8.50	9.00	4.25	7.30	1.81	4.00	2.30	4.90	3.75	141
OSS 130	375	2 1/4 - 2 3/8	1 13/16 - 1 7/8	1425	23.70	9.00	10.00	4.72	8.27	2.10	4.50	2.70	5.30	4.25	190
OSS 132	450	2 1/2 - 2 5/8	1 15/16 - 2 1/8	1850	25.70	9.70	10.70	5.23	9.10	2.36	5.00	3.05	5.90	4.75	260
OSS 135	500	2 3/4 - 2 7/8	2 3/16 - 2 7/16	2300	27.40	11.00	11.00	5.43	9.45	2.90	5.25	3.25	6.30	5.00	348
OSS 138	600	3 - 3 1/8	2 1/2 - 2 5/8	3400	29.00	12.00	11.30	5.70	9.84	3.00	5.75	3.50	6.70	5.25	410
OSS 140	650	3 1/4 - 3 3/8	2 3/4 - 2 7/8	4100	31.10	13.00	11.80	6.30	10.83	3.12	6.25	3.75	7.10	5.50	500
OSS 142	750	3 1/2 - 3 5/8	3 - 3 1/8	5200	33.40	14.00	12.50	6.90	11.80	3.25	6.75	3.90	7.90	6.00	615
OSS 144	900	3 3/4 - 4	3 1/4 - 3 3/8	7700	36.30	15.00	13.50	7.80	13.20	3.50	7.50	4.33	8.50	7.00	825
OSS 146	1200	4 1/4 - 4 1/2	3 3/4 - 4 1/4	10500	43.70	17.30	17.70	8.70	14.60	4.00	8.10	5.00	9.80	7.70	1150
OSS 150	1400	4 3/4 - 5	4 7/16 - 4 3/4	14000	46.70	19.30	17.30	10.00	17.00	4.40	8.90	5.60	10.60	8.70	1500

MBL = Minimum Breaking Load

All sockets are supplied in a hot dipped galvanized finish. OSS 111 - OSS 150 are also available in aqua-blue primer (RAL 5018).

For more information read our 'Warnings and instructions for use'.