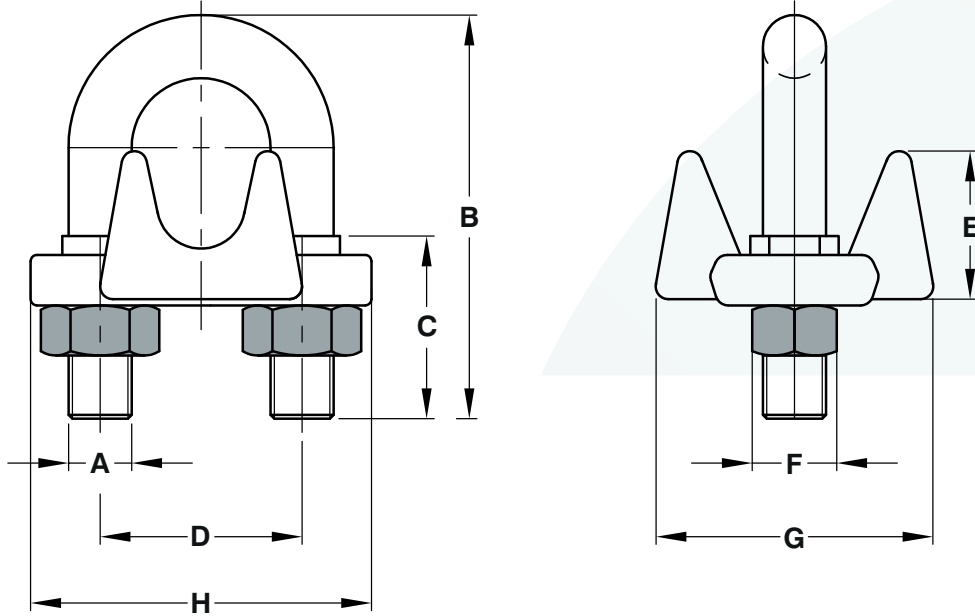




# Wire Rope Clips



Available for wire rope sizes from  $\varnothing$  4 mm to  $\varnothing$  89 mm  
(1/8" to 3 1/2").

Meets the performance requirements of the EN 13411-5 norm.

## AQUALLINE WIRE ROPE CLIP. MM DIMENSIONS

Model Number	For Wire Rope $\varnothing$ mm	Torque (Nm)	Dimensions (mm)								Weight (kg)
			A	B	C	D	E	F	G	H	
WRC 004	4	6.1	5.5	18.3	11.2	12.0	10.4	9.7	20.6	23.9	0.03
WRC 005	5	10	6.4	24.6	14.2	15.0	12.7	11.2	23.9	29.5	0.05
WRC 006	6	20.5	7.9	26.2	14.2	19.1	16.8	14.22	30.3	36.6	0.09
WRC 008	8	41	9.7	35.0	19.0	22.4	18.3	17.53	33.3	43.0	0.13
WRC 010	10	61	11.2	38.1	19.0	25.4	23.1	19.1	41.4	49.3	0.21
WRC 011	11	88	12.7	47.8	25.4	30.2	26.2	22.4	46.0	58.0	0.32
WRC 013	13	88	12.7	47.8	25.4	30.2	28.7	22.4	48.5	58.0	0.34
WRC 014	14	130	14.2	57.2	32.0	33.3	31.0	23.9	52.3	63.5	0.45
WRC 016	16	130	14.2	60.5	32.0	33.3	34.0	23.9	52.3	63.5	0.47
WRC 019	19	177	15.8	69.9	36.6	38.1	35.8	26.9	57.2	72.1	0.64
WRC 022	22	306	19.0	79.3	41.1	44.5	40.4	31.8	62.0	80.3	0.98
WRC 026	26	306	19.0	89.0	46.0	47.8	45.2	31.8	66.8	88.1	1.18
WRC 029	29	306	19.0	98.5	50.8	51.0	48.5	31.8	71.4	91.2	1.28
WRC 032	32	490	22.3	108.0	54.1	58.5	55.6	36.6	79.5	105.0	1.90
WRC 035	35	490	22.3	117.6	58.7	60.5	58.7	36.6	79.5	106.0	2
WRC 038	38	490	22.3	125.5	60.5	66.0	62.0	36.6	86.6	113.0	2.35
WRC 042	42	585	25.4	135.0	66.6	70.0	67.6	41.4	92.2	121.0	3.10
WRC 044	44	800	28.7	146.0	70.0	78.0	75.0	46.0	96.8	134.0	4.20
WRC 052	52	1000	31.8	164.0	76.0	86.0	81.0	50.8	113.0	149.0	5.80
WRC 057	57	1000	31.8	181.0	81.0	99.5	83.0	50.8	114.0	162.0	7.30
WRC 064	64	1000	31.8	195.0	87.0	105.0	94.0	50.8	118.0	168.0	8.25
WRC 070	70	1000	31.8	211.0	90.0	111.0	124.0	50.8	127.0	175.0	10.50
WRC 076	76	1630	38.1	233.0	99.0	120.0	126.0	60.5	149.0	194.0	14.20
WRC 089	89	1630	38.1	273.0	114.0	140.0	152.0	60.5	157.0	213.0	17.10

## AQUALLINE WIRE ROPE CLIP. INCH DIMENSIONS

Model Number	For Wire Rope $\varnothing$ inch	Torque (ft-lbs)	Dimensions (inch)								Weight (lbs)
			A	B	C	D	E	F	G	H	
WRC 004	1/8	4.5	0.22	0.72	0.44	0.47	0.41	0.38	0.81	0.94	0.06
WRC 005	3/16	7.5	0.25	0.97	0.56	0.59	0.51	0.44	0.94	1.16	0.11
WRC 006	1/4	15	0.31	1.03	0.50	0.75	0.66	0.56	1.19	1.44	0.20
WRC 008	5/16	30	0.38	1.38	0.75	0.88	0.72	0.69	1.31	1.69	0.28
WRC 010	3/8	45	0.44	1.50	0.75	1.00	0.91	0.75	1.63	1.94	0.46
WRC 011	7/16	65	0.50	1.88	1.00	1.19	1.03	0.88	1.81	2.28	0.70
WRC 013	1/2	65	0.50	1.88	1.00	1.19	1.13	0.88	1.91	2.28	0.80
WRC 014	9/16	95	0.56	2.25	1.25	1.31	1.22	0.94	2.06	2.50	1
WRC 016	5/8	95	0.56	2.38	1.25	1.31	1.34	0.94	2.06	2.50	1.10
WRC 019	3/4	130	0.62	2.75	1.44	1.50	1.41	1.06	2.25	2.84	1.40
WRC 022	7/8	225	0.75	3.12	1.62	1.75	1.59	1.25	2.44	3.16	2.20
WRC 026	1	225	0.75	3.50	1.81	1.88	1.78	1.25	2.63	3.47	2.60
WRC 029	1 1/8	225	0.75	3.88	2.00	2.00	1.91	1.25	2.81	3.59	2.90
WRC 032	1 1/4	360	0.88	4.25	2.13	2.31	2.19	1.44	3.13	4.13	4.20
WRC 035	1 3/8	360	0.88	4.63	2.31	2.38	2.31	1.44	3.13	4.19	4.40
WRC 038	1 1/2	360	0.88	4.94	2.38	2.59	2.44	1.44	3.41	4.44	5.20
WRC 042	1 5/8	430	1.00	5.31	2.62	2.75	2.66	1.63	3.63	4.75	6.80
WRC 044	1 3/4	590	1.13	5.75	2.75	3.06	2.94	1.81	3.81	5.28	9.20
WRC 052	2	750	1.25	6.44	3.00	3.38	3.28	2.00	4.44	5.88	14.80
WRC 057	2 1/4	750	1.25	7.13	3.19	3.88	3.19	2.00	4.50	6.38	16
WRC 064	2 1/2	750	1.25	7.69	3.44	4.13	3.69	2.00	4.05	6.63	18
WRC 070	2 3/4	750	1.25	8.31	3.56	4.38	4.88	2.00	5.00	6.88	23
WRC 076	3	1200	1.50	9.19	3.88	4.75	4.69	2.38	5.88	7.63	31
WRC 089	3 1/2	1200	1.50	10.75	4.50	5.50	6.00	2.38	6.19	8.38	38

All wire rope clips are supplied in a hot dipped galvanized finish. For more information read our 'Warnings and instructions for use'.